

Adjustable Ape-Hanger Bar

• Features a built in bolt which is in a track to allow fore and aft adjustment. Bars bolt directly to triple tree, no risers needed.

Chrome	Black	Height	Fits
25-0947	25-1825	12"	1980-83, 1984-13 FLT
25-0948	25-1826	14"	1980-83, 1984-13 FLT
25-0949	25-1827	15"	1980-83, 1984-13 FLT



Bagger Z Bar.

• Feature set back to accommodate fairing. Note: 2008-up style accept "throttle by wire" right side grip.

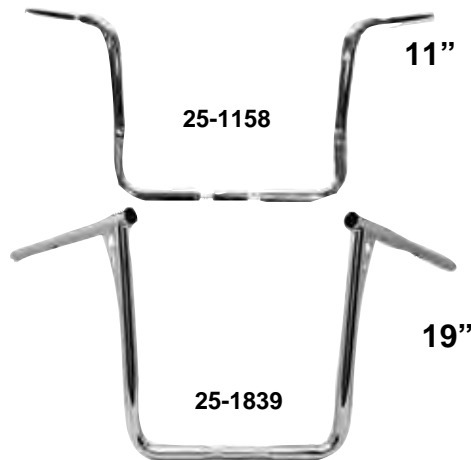
VT No.	Height	Description	Fits
25-2276	15"	with Indents & TBW	1982-13 FLT
25-0846	15"	with Indents	1982-07 FLT
25-3251	15"	with TBW	2008-13 FLT
25-1180	16"	with TBW	2008-13 FLT



Poly Urethane Riser Bushing Set

• Includes 4 bushings with chrome covers.

VT No.	Fits	Year
28-2259	FLT	1983-13



Dresser Ape Hanger.

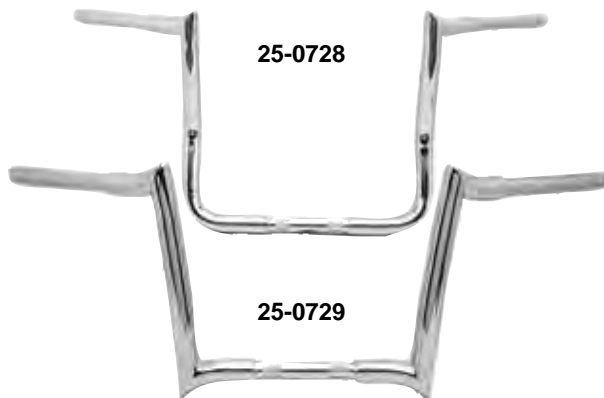
Chrome	Black	Height	Description	Fits
25-1158	25-1150	11"	With TBW	2008-13
25-0995	25-0982	13"	Ape Style w/TBW	2008-13
25-1129		14"	With Indents	1982-07
25-1131		19"	With Indents	1982-07
25-1159		14"	With TBW	2008-13
25-1838	25-1844	16"	With TBW	2008-13
25-1839	25-1845	19"	With TBW	2008-13
25-1161		19"	With TBW	2009-13



Bagger Ape Style Bar.

• Fit 2014-up, 1 1/4" round

Chrome	Black	Size
25-0446	25-0501	12"
25-0447	25-0502	13"
25-0448	25-0503	14"
25-0449	25-0504	16"
25-0450	25-0505	18"



Chrome Bar.

VT No.	Height	Fits
25-0728	15" without indent	2008-13 FLT
25-0729	12" without indent	2008-13 FLT