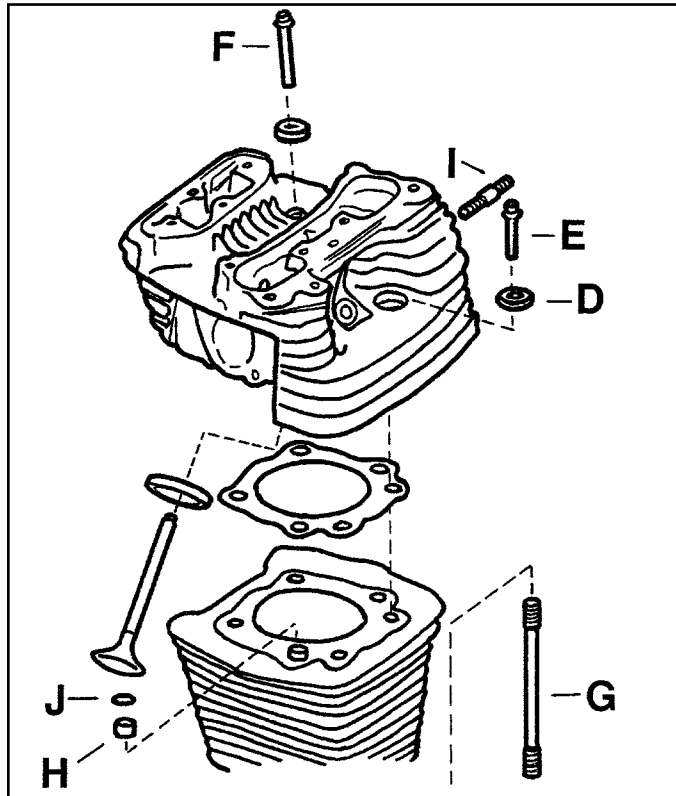
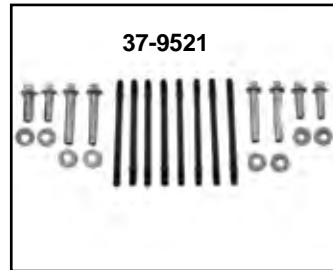




Head Bolt & Stud for 1984-99 Evolution



Chrome 12 Point Head Bolt Set includes 8 washers and 8 head bolts for 1986-91 FXST, FLST, FLT, FXR, 1986-92 XL and 1991 FXD.
VT No. 37-9019



Components for One Head



Head Bolts and Hardware Kits for Evolution 1340 models for one head.

VT No.	#	OEM	Item
37-9521*		1986-91	Chrome Head Bolt Stud & Screw Kit
37-9322		As Above	1992-99, zinc
37-8139	E	16478-83	Head bolt, Chrome, 8 pack
	F	16480-83	Screw Set, 1984-Early 1985
2011-8	E	16478-85A	Head bolt, Chrome, 8 pack
	F	16480-85A	Screw set Late 1985-91 Big Twin
2012-8	E	16478-85A	Head Bolt Chrome, Colony, 8 pack
	F	16480-92	Screw Set 1992-up Big Twin
37-8951	G	16837-85A	Studs only, 1986-99 Big Twin 4 pack
9424-8	G	As above	Colony, 1986-99 Big Twin
37-9259	G	As Above	Sifton
37-8935	H	16573-83	Insert, 8 pack
12-1187	I	16715-83	Exhaust Stud, 5 pack
14-0516	J	26432-76	O Ring, 10 pack
37-9074	D	16482-83	Washer 1984-Early 85, Zinc, 4 pack
37-9075	D	16482-85	Washer Late 1985-92, Zinc, 4 pack
37-9265	D	As Above	Chrome, 8 piece
2017f8	D	As Above	Chrome, 8 piece

*Note: For Both Cylinder Heads

Sifton Racers Evolution Stud Kit has 8 inserts, drill tap and 8 chromoly studs. Allows more torque to be applied, to cure oil leaks and protects case threads during frequent disassembly. Detailed instructions included.

VT No.	Item
11-0634	Complete Shop Kit
37-9259	8 Studs only
11-0636	8 Inserts only



Cylinder Oil Passage Drain Tubes for stock bore size cylinders only. Each kit is supplied with tap, hex wrench, two drain tubes and instructions. Fits Evolution.

VT No.	Item
16-0911	Kit
16-0912	Pair Replacement Tubes only