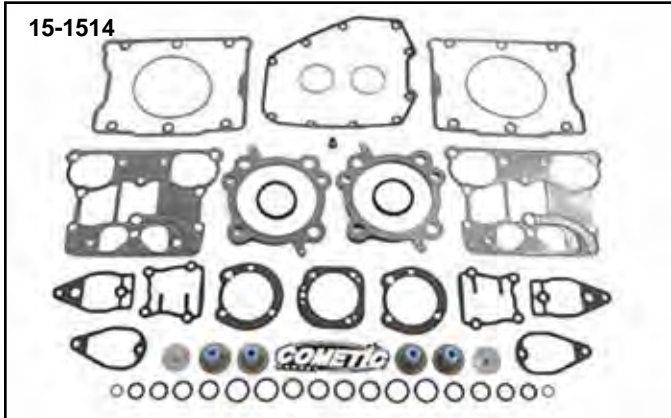




# 103" 2007-2010 Cylinder Kit for TC-96



103" TC-96 2007-2010 Cylinder Kits include forged 9:1 or 10:1 Wiseco pistons fitted to cylinder.  
**Black Silver Compression**  
 11-1754 11-1755 9:1  
 11-1752 11-1753 10:1  
 15-1514 Gaskets

**S&S Chrome Rocker Box Cover Set** for TC-88 models.  
 VT No. 11-4105

## TC-88 Hot Setup Kit



**S&S TC-88 Cam, Carburetor, Pushrod and Piston Hot Setup Kit** include Super "E" carburetor, adjustable pushrod set, pushrod covers, 570G cam (.570 lift), cam gear drive set and gear cover gasket kit. Installation of kit requires stock bore cylinders to be bored out to 3 7/8" and will increase compression ratio to 9.7:1 with stock cylinder heads. Order piston kit separately.  
 VT No. 11-0027

**Edelbrock Performance Grommet Mount Intake.**  
 VT No. 35-9285