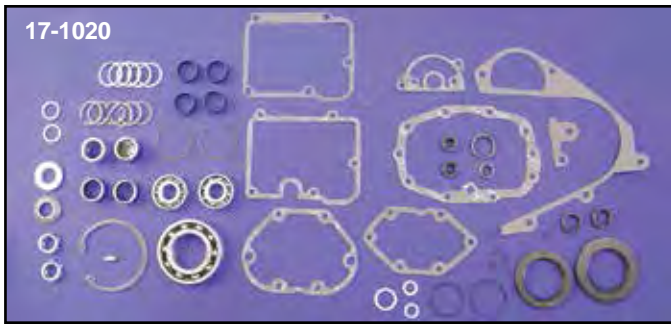




5-Speed Transmission Gasket Kit



5-Speed Jims Hardware and Rebuild Kit includes bushings, locks, keys and snap rings for completing as 5 speed transmission rebuild. James gasket set included.

| VT No. | Year |
|---------|--------------|
| 17-1019 | 1980-Early84 |
| 17-1020 | Late1984-90 |
| 17-1021 | 1991-98 |
| 17-1035 | 1999-up |



Transmission Gasket Sets. Complete gasket and oil seal kits listed below for individual application.

| James | GB No. | OEM | Fits |
|---------|---------|----------|--------------------------|
| 15-0841 | 15-0619 | 33031-82 | 1980-84 Big Twin 5-Speed |
| 15-0841 | 15-0641 | 33031-85 | 1985-99 Big Twin 5-Speed |
| 15-0842 | 15-0762 | 33031-91 | 1991-99 Dynaglide FXDB-S |
| — | 15-0767 | — | 1999-up FXD |
| 15-0843 | 15-0763 | 33031-93 | 1993-99 FLHS-FLHTC |
| 15-1211 | 15-0764 | 33031-99 | 1999-up TC-88 |



James Transmission 5-Speed Seal Kits.

| VT No. | Year |
|---------|---------|
| 15-1166 | 1984-93 |
| 15-1167 | 1994-up |

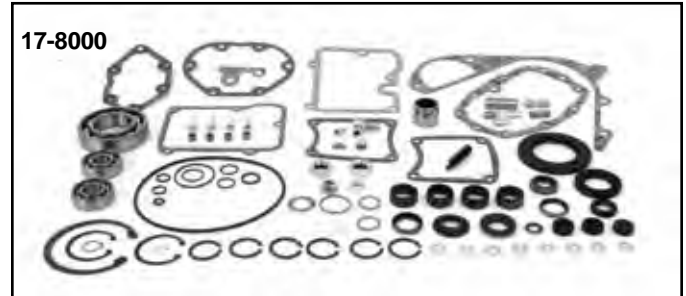
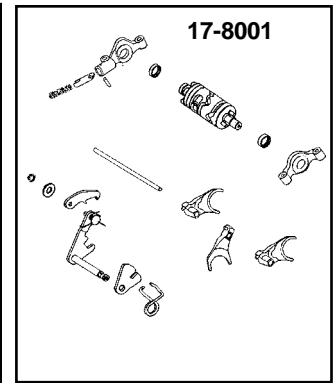
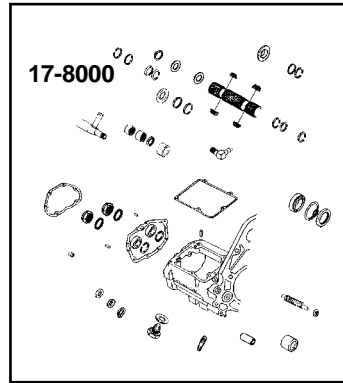


Big Twin Transmission Sprocket Oil Seal Kit for 2006-up Dynaglide and 2007-up Big Twins.
VT No. 15-1276



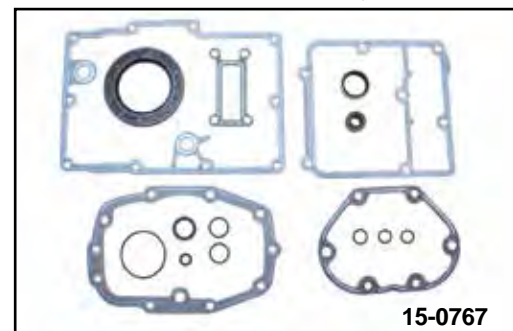
5-Speed Big Twin Main Drive Gear Oil Seal and Spacer Kit features three lip seal and coated sprocket spacer. The coating provides superior surface lubricity and increased corrosion resistance. Fits 1994-up as a replacement or on ratio change on earlier models with late pulley.
VT No. 17-0752

Transmission



GB™ Big Twin 5-Speed Builder's Kits include all parts noted by each illustration.

| VT No. | Type |
|---------|--------------------------------------|
| 17-8000 | Internal Small Parts Kit |
| 17-8001 | Shifter Shaft Drum Assembly, 1979-97 |



Transmission Sprocket Oil Gasket and Seal Kit fits 1999-2005 FXD.
VT No. 15-0767