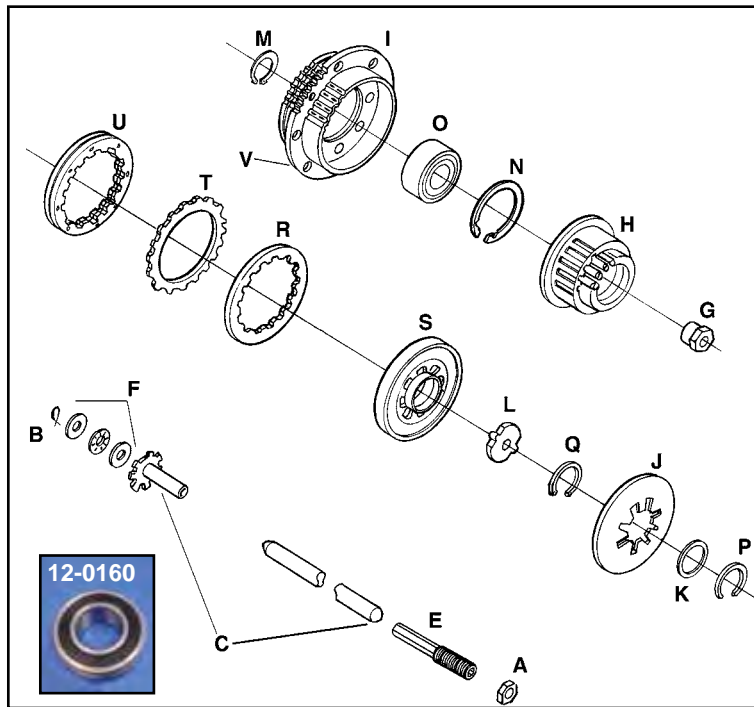




Clutch Parts for 1991-97 Big Twin

Big Twin Clutch Parts for 1991-97.

VT No.	OEM #	Item #	Item
12-0563	7848W	A	Locknut
12-0923	11096	B	Retaining Ring
17-9250	37069-90	C	Pushrod
	37088-90		Release Set
	37090-84A		
18-3253	37090-84A	E	End, Rod, Left only
18-3623	Kit	F	Bearing Kit
	37312-75		Bearing
	37313-80		Thrust Washer
	11096		Retaining Ring
12-9914	37496-90	G	Mainshaft Nut
18-0159	37550-90A	H	Clutch Hub, V-Twin
18-8263	37707-90	I	91-93 Clutch Drum with Gear, OE
18-8310	37707-90	I	As Above, V-Twin
18-8311	37707-94	I	94-97, Clutch Drum w/Gear, V-Twin
Note: Order bearing for above separately VT No. 12-0160			
18-8308	102T	I	Ring Gear Only
18-3234	37871-90	J	Diaphragm Spring
18-3267	Heavy	J	Diaphragm Spring
18-8256	37872-90	K	Spring Seat
18-8257	37903-90	L	Release Plate
18-8258	37904-90	M	Retaining Ring, External
18-8259	37905-90	N	Retaining Ring, Internal
12-0160	37906-90	O	Bearing
18-8260	37908-90	P	Retaining Ring, Internal
18-8261	37909-90	Q	Retaining Ring, Internal
18-3231	37913-90	R	Steel Plates (6), Barnett
18-8255	37912-91	S	Pressure Plate
18-3230	37911-90	T	Plate Set (8), Barnett
18-8262	37977-90	U	Spring Plate, Smooth
18-8313	37977-90	U	Spring Plate, Smooth
18-8307	—	V	Ring Gear 1990-92
18-8308	—	V	Ring Gear 1993-97



18-0159 Clutch Hub replaces stock units. Replaces 37550-90A. Fits 1991-97.
VT No. 18-0159

Complete Clutch Pack Assembly.

VT No.	Years	Model
18-0131	1991-93	Big Twin
18-0132	1994-97	Big Twin