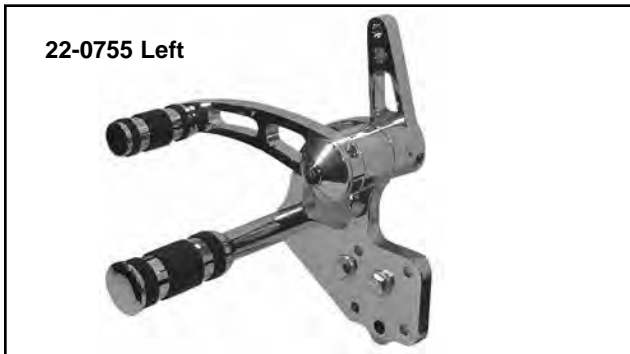




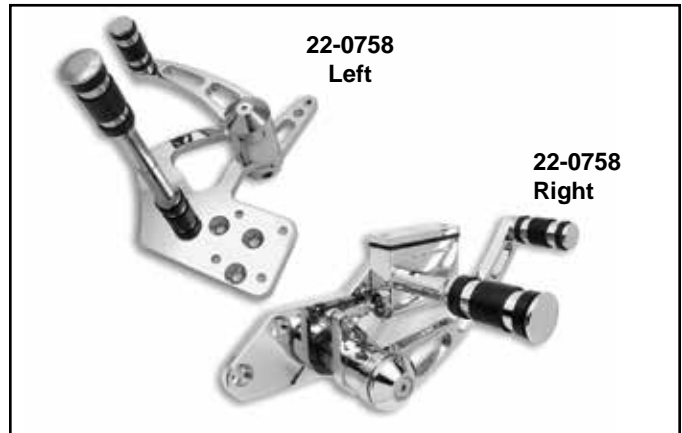
# Forward Control Set



22-0755 Right



22-0755 Left



22-0758 Left

22-0758 Right



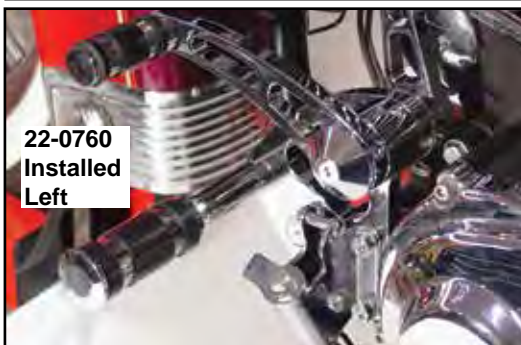
22-0758 Installed Right



22-0760 Installed Right



22-0758 Installed Left



22-0760 Installed Left



22-0767 Right

22-0767 Left



22-0760 Left

22-0760 Right

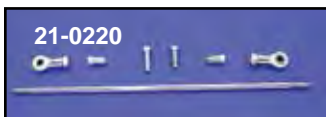
**Chrome Billet Forward Control Set** fits 1986-99 Softail, 1958-84 FX-FL. Includes rubber belted pegs as shown. Includes left and right sides complete with master cylinder. Order shifter rod and stainless steel brake lines separately.

**Note:** 3" extended units 22-0758 not suitable for FLST models with stock fender.

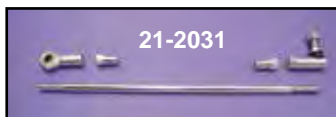
VT No.	Position
22-0760	Stock, Note: this is chrome
22-0755	+2"
22-0767	+2" with Pirate Pegs
22-0758	+3"

**Chrome Shifter Rod, Stock**

- 21-2031 1986-up Softail
- 21-0220 1986-99 Softail
- 37-6500 Replacement Mounting Bolts



21-0220



21-2031