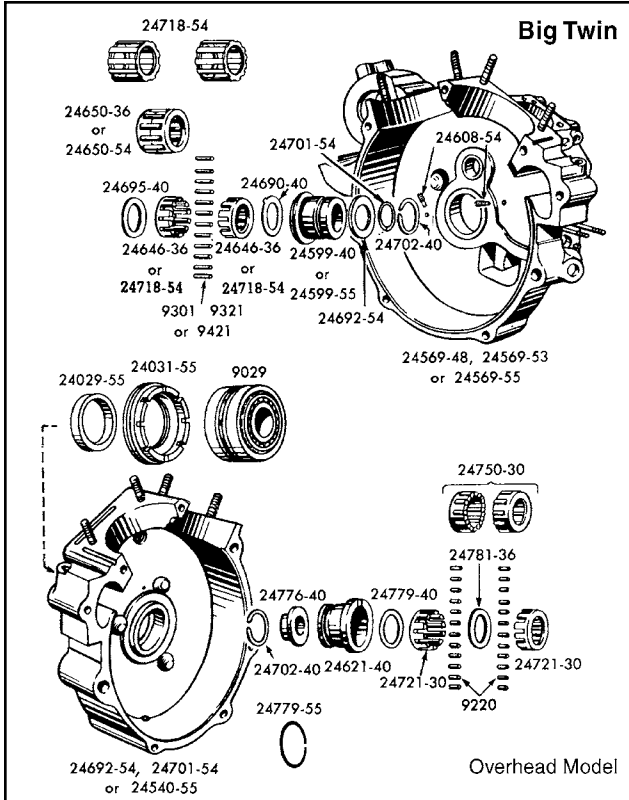




Big Twin Internal Spacer

1940-57



Spacers for 1940-57 Big Twin models.

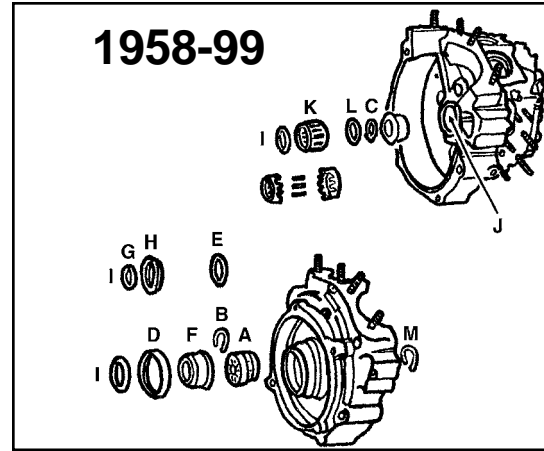
VT No.	OEM	Description
12-0310	9029	1955-68 Left Crankcase Bearing, each
10-1160	24029-55	1955-64 Sprocket Shaft Spacer .336, 5 pack
14-0965	24031-55	1955-57 OEM type Insert
7410-1	24031-55	1955-57 Sprocket Shaft Seal and Nut, each
14-0177	—	Seal Only for Above, each
12-0400	24646-36	1937-53 Right Roller Bearing Retainer, pair
10-1155	24690-40	1940-50 Right Bearing Washer, 5 pack
10-1154	24692-54	1954-57 Right Bearing Washer, 5 pack
10-1156	24695-40	1940-54 Right Bearing Spacer, 5 pack
12-0913	24701-54	1954-57 Right Bearing Retainer Ring, 10 pack
12-0914	24702-40	1940-54 Crankcase Bearing Ring, 10 pack
12-0403	24718-54	1954-57 Right Roller Bearing Retainer, each
12-0401	24721-30	1930-54 Left Roller Bearing Retainer, pair
10-0429	24776-40	1940-54 Left Bearing End, each
10-1158	24779-40	1940-54 Left Bearing Washer, 5 pack
12-0935	24779-55	1955-69 Left Bearing Retainer Ring, each
10-1159	24781-36	1937-57 Left Bearing Spacer, 5 pack



Steel Roller Retainer Cages.

VT No.	OEM	Year	Brand
Big Twin Right Pinion			
12-0400	24646-36	1936-54 Big Twin	V-Twin
12-0413	24646-36	1936-54 Big Twin	Sifton
12-0402	43578-35	1958-up Big Twin	Sifton
Big Twin Left Side Sprocket			
12-0401	24721-30	1930-54 Big Twin	V-Twin
12-0414	24721-30	1930-54 Big Twin	Sifton

1958-99



Spacers for 1958-99 Big Twin Models.

VT No.	OEM	Description
12-0310	9029	(A) 1955-68 Left Crankcase Bearing
12-0427	9029	(A) 1955-68 Left Crankcase Bearing, VT
12-0309	9028	(A) 1969-up Left Crankcase Bearing
12-0947	11160	(B) 1985-up Left Bearing Retainer Ring
12-0904	11007	(C) 1958-86 Right Bearing Retainer Ring
12-0946	11177	(C) 1987-92 Right Bearing Retainer Ring
12-0967	11177A	(C) 1993-99 Right Bearing Retainer Ring
14-0965*	24031-55	(D) 1958-68 Crankcase Seal OEM type
7410-1*	24031-55	(D) 1958-68 Crankcase Seal
14-0185	24031-69	(D) 1969 Crankcase Seal
12-0712	23741-55	(E) 1955-84 Crankcase Bearing Shim .003
10-0427	240003-70	(F) Sprocket Shaft Spacer
10-1160	24029-55	(G) 1955-64 Sprocket Shaft Spacer .336 1966-68
10-2509	24029-65	(G) 1965-only Sprocket Shaft Spacer .621
10-2513		(I) Includes the one each of the following 1966-69 Sprocket Shaft Spacers:
		24032-66 Size .516, 24033-66 Size .546,
		24034-66 Size .576, 24035-66 Size .606,
		24036-66 Size .636, 24037-66 Size .666
12-0250	24608-54	(J) Screw right case bushing
10-2533	24650-58	(K) 1958-86 Right bearing assembly, standard
10-1157	24692-58	(L) 1958-86 Right bearing washer
12-0935	24779-55	(M) 1955-69 Left bearing retainer ring
12-0402	43578-35	(N) 1958-66 Right bearing retainer

*Note: 7410-1, 7410-55 are a screw-in inserts with integral seals. VT No. 14-0965 is original screw-in type without seal.