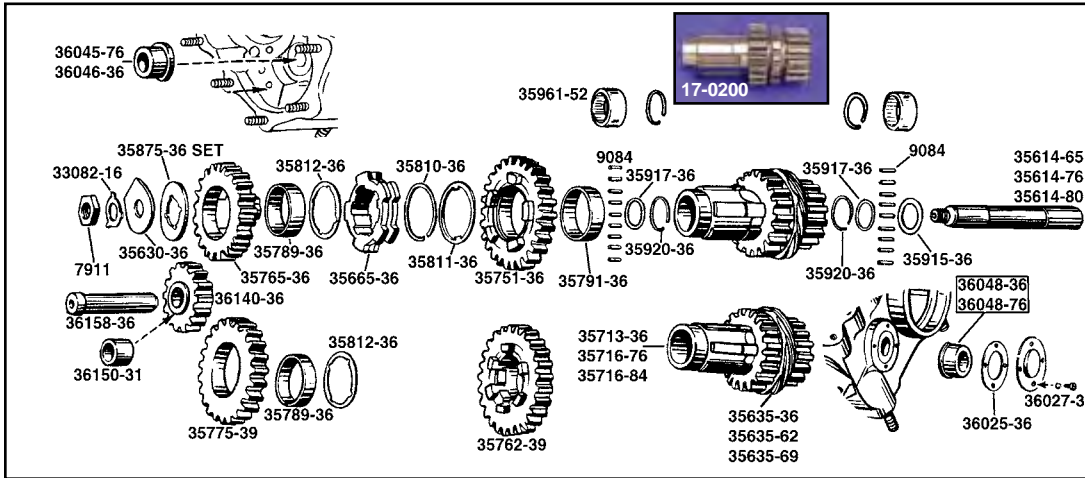




4-Speed Countershaft



Countershaft Group for 1936-85 Big Twin 3 and 4 Speed.

VT No.	OEM	Item
14-0507	1115	O-Ring
12-0527	7911	Nut, 5 pack
17-0902	33082-16	Lockwasher, 10 pack
17-0128	35614-65	Countershaft, 1936-75
17-0129	35614-76	Countershaft, 1976-79
17-0130	35614-80	Countershaft, 1980-85
17-0145	9084	Needle, Standard 88 piece
17-0146	9085	.0004 Oversize
12-4608	—	.0006 Oversize
17-0147	9086	.0008 Oversize
17-0148	—	.001 Oversize
17-0126	35630-36	Lock Plate, 5 pack
17-0112	35665-36	Shifter Clutch Large
17-0200	35713-36	1936-76 Countershaft Gear, 15-17 Teeth
17-0201	35699-76	1976-85 Countershaft Gear, 15-17 Teeth
N/A	35751-36	2nd Gear (21T) 1936-78
17-0782	35751-36	2nd Gear (21T) Sifton
17-0896	35751-36	2nd Gear (21T) Replica
17-9753	35751-79	2nd Gear (24T) 1980-83
17-9890	35762-39	Low, 3-Speed and Reverse
17-0199	35765-36	Low Gear 26T 1936-85
17-0196	35717-74	Low Gear 24T 1974-85 FX
10-0729	35789-36	Low and Reverse Bushing
10-0730	35791-36	Low or 2nd Bushing
12-0925	35810-36	Lock Retaining Ring, 10 pack
17-0167	35811-36	Retaining Washer, 5 pack
17-0161	35812-36	Bearing Washer, 5 pack
17-0123	35875-36	Washer Set 7 pieces includes .074, .078, .082, .085, .090, .095, .100
17-0179	—	.050 Countershaft Washer, 5 pack
17-0180	—	.055 Countershaft Washer, 5 pack
17-0181	—	.060 Countershaft Washer, 5 pack
17-0182	—	.065 Countershaft Washer, 5 pack
17-0183	—	.070 Countershaft Washer, 5 pack
17-0211	35876-36	.074 Countershaft Washer, 5 pack
17-0212	35877-36	.078 Countershaft Washer, 5 pack
17-0213	35878-36	.082 Countershaft Washer, 5 pack
17-0214	35879-36	.085 Countershaft Washer, 5 pack
17-0215	35882-36	.090 Countershaft Washer, 5 pack
17-0216	35883-36	.095 Countershaft Washer, 5 pack
17-0217	35884-36	.100 Countershaft Washer, 5 pack

17-0225	—	.0105 Countershaft Washer, 5 pack
17-0226	—	.110 Countershaft Washer, 5 pack
17-0170	35915-36	Gear Roller Washer Left .060
17-0206	—	As Above, .050
17-0207	—	As Above, .055
17-0209	—	As Above, .065
17-0210	—	As Above, .070
17-0169	35917-36	Washer
12-0924	35920-36	Lock Ring, 10 pack
12-0327	35961-52	Needle Bearing 1977-84
15-0171	36025-36	Cap Gasket, 10 pack
17-0127	36027-36	End Cap, Chrome
17-0171	36046-36	Standard Right Bushing 1937-76
17-0172	As above	.005 Oversize 1937-76
17-0173	36048-36	Standard Left Bushing 1937-76
17-0174	As Above	.005 Oversize 1937-76
17-0175	36045-76	Standard, Right Bushing 1976-79
17-0176	As Above	.005 Oversize 1976-79
17-0177	36048-76A	Standard, (R or L) Side Bushing 1976-84
17-0178	As Above	.005 (Right or Left) Bushing 1976-84
17-9892	36140-36	Idler Gear Reverse
17-9893	36150-31	Idler Gear Bushing
17-9894	36158-36	Idler Gear Shaft



4-Speed Countershafts.

VT No.	Sifton	Jims	Andrews	OEM	Years
17-0128	17-0325	17-0125	17-7650	35614-65	1936-75
17-0129	17-0326	17-0131	17-7651	35614-76	1976-79
17-0130	17-0327	17-0138	17-0137	35614-80	1980-85

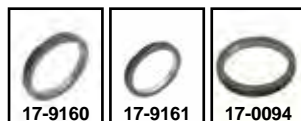


Transmission Countershaft End Cap Kit is for clutch side with gasket and screws, Replaces 36027-36.
VT No. 17-0127



Transmission Needle Bearings feature full compliment roller design.

VT No.	Torrington	OEM	Type
12-0461	12-0326	35690-54	Closed
12-0396	12-0327	35961-52	Open



36-0094	17-9160	35635-36	Speedometer Gear, 7 Teeth
36-0095	17-9161	35635-62	Speedometer Gear, 4 Teeth
36-0096	17-0094	35635-69	1969-80 Speedo Gear 7 Teeth