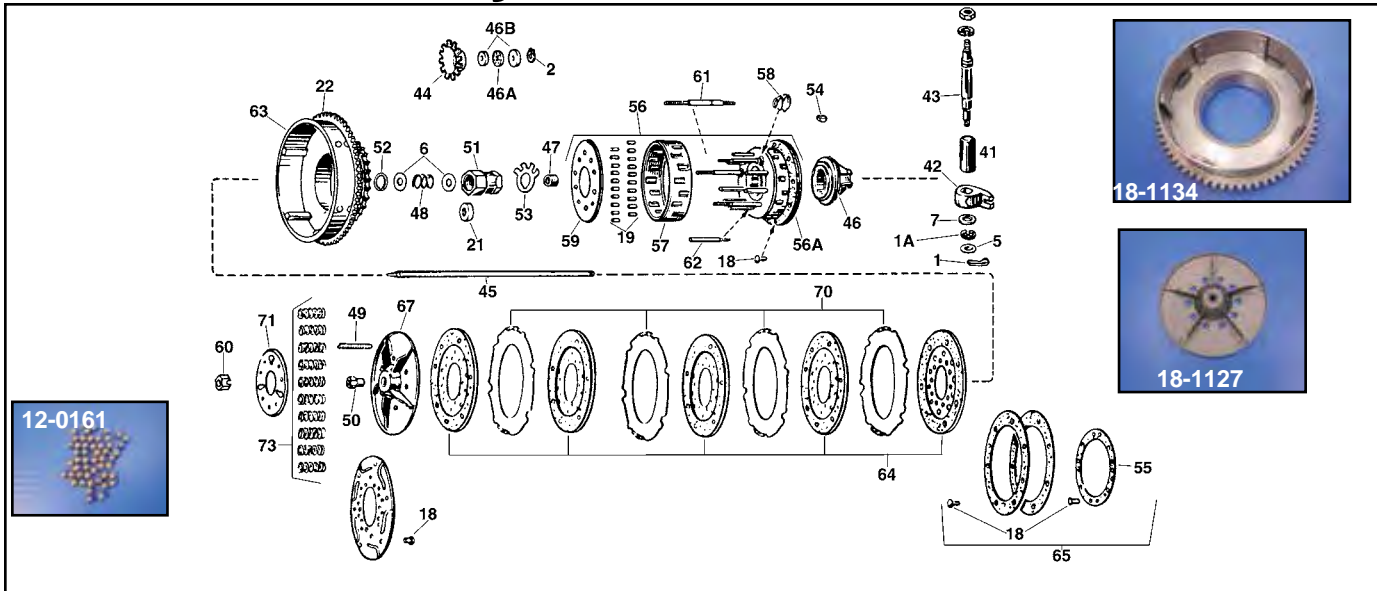




# 1941-Early 84 FL-FX Clutch Part



VT No.	#	OEM	Item
37-8786	1	528	Cotter Pin, 3/32 x 5/8
12-0900	1A	11000	Retaining Ring
12-0923	2	11096	Retaining Ring
12-1158	5	6320	Washer, 5/16 x 1 1/16 x 1/16
37-0533	6	6402	Washer, 25/64 x 59/64 x 1/32 (2)
12-9918	7	6443HW	Washer, 13/32 x 1 1/16 x 1/16
37-8807	18	8226	Rivet, 3/16 x 7/32 (brass) (8)
12-0161	19	8856A	Clutch Hub Bearing Ball
12-0344	19	9540A	Clutch Hub Bearing Standard Roller
14-0103	21	12014	Mainshaft Nut Oil Seal
18-1135	22	33163-65B	Ring Gear
17-0229	41	33291-36	Upper Shaft Bushing
17-1509	42	37070-39	Release Finger
17-1499	42	37070-39B	Release Finger
17-0124	43	37074-38	Release Lever (Shaft with pin)
17-9827	43	37074-38A	Release Lever (Shaft with snap)
18-3624	44	37228-75	Oil Slinger
18-3117	45	37285-41	Clutch Pushrod
18-3118		37285-65	Clutch Pushrod
18-3119		37285-70	Clutch Pushrod
18-3120		37285-75	Clutch Pushrod
18-3121	46	37310-39	Pushrod Bearing Standard grade
18-8229		37310-39	Pushrod Bearing OEM grade
12-0342	46A	37312-75	Pushrod Bearing
12-0370	46B	37313-80	Thrust Washer
14-0124	47	37337-36	Pushrod Cork Oil Seal
—	48	37348-41	Pushrod Oil Seal Spring
18-3202	49	37357-41	Pushrod Adjusting Screw
18-3201		37357-41A	As Above with Ball End
12-0514	50	37361-41	Adjusting Screw Nut
—	51	37496-41	Mainshaft Nut, Clutch Side
12-0508	51	37496-65	Mainshaft Nut, Clutch Side
17-0121	51	Kit	Nut-Seal-Lock
—	52	37498-41A	Oil Seal Retaining Ring

VT No.	#	OEM	Item
17-0904	53	37503-41	Clutch Nut Lockwasher
12-0208	54	37523-15	Clutch Hub Key
18-1125	55	37549-41	Hub Friction Disc Lining with Rivets
18-3124		—	As Above Nyla-Tron with Rivets
18-3153	56	37550-41A	Clutch Hub Assembly including
—		—	71 and 60 3-Stud
18-3154		—	As Above 5-Stud
18-3151	56A	37550-41B	Clutch Hub Bare 3-Stud
18-3150		—	As Above 5-Stud
18-3612	19	37566-41A	Clutch Hub Roller Retainer
		& 57	
13-0138	58	37574-44	Hub Bearing Plate Spring
18-3613	59	37576-41	Hub Bearing Plate
12-0509	60	37581-47	Hub Stud Nut, Black
12-0580	60	37581-47	Hub Stud Nut, Chrome
18-3114	61	37583-41	Drive Hub Stud
18-3115	62	37585-41	Clutch Hub Pin
18-0152	63	37702-65	Clutch Shell with Starter Gear 1965-69
18-1134	63	37702-70A	Clutch Shell with Starter Gear 1970-84
18-1149	63	37707-82	Clutch Shell, 1982-85
			with Rear Belt Drive
18-3159	63	37703-41B	Clutch Shell, Kick Starter only 1941-84
18-1124	64	37850-41	Set of Lined Clutch Discs 1941-67
18-1121	64	37930-68	Set of Lined Clutch Discs 1968-84
18-1127	67	37871-41	Releasing Disc
18-1143	67	—	As Above, Chrome
18-1126	70	37975-41	Drive Disc, Steel with rattler (each)
18-1129	70	37975-81	Drive Disc Steel, Smooth (each)
18-3652	70	37975-81	As Above Barnett (each)
18-3111	71	38010-41	Pressure Plate, 3 hole
18-3235	71	—	As Above, Chrome
18-3112	71	—	As Above, Black, 5-Hole
18-3236	71	—	As Above, Chrome
18-3113	71	—	As Above, Black, 10-Hole
13-0139	73	38075-41	Set of Clutch Springs 1941-67
13-0136	73	38075-68	Set of Clutch Springs 1968-84

**Steel Plates. Note** 18-8301 has smaller lug c



VT No.	Style	Year	Brand
18-1129	Smooth	1941-84	York
18-8288	Smooth	1941-84	Alto
18-8301	Smooth	1941-84	York
18-1126	Rattler	1941-67	Replica
18-8287	Rattler	1941-67	Alto

