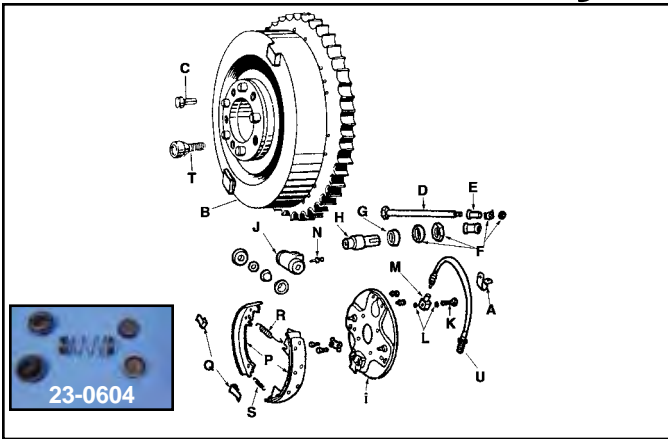




1958-72 Hydraulic Drum Brake



Big Twin Hydraulic Rear Backing Plate Assembly includes chrome or black backing plate, with wheel cylinder, shoe set and springs installed. Hose fitting and banjo bolt are supplied. Order proper brake drum and axle kit separately.

Hydraulic Brake Parts for 1958-72 Big Twin.

VT No.	#	OEM	Year	Item
37-8129	A	9995	1958-72	Clamp, 10 pack
23-0431	B	41400-58C	1958-62	Brake drum, chrome
23-0432	B	41400-58C	1958-62	Brake drum, black
23-0433	B	41400-63	1963-66	Brake drum, chrome
23-0434	B	41400-63	1963-66	Brake drum, black
23-0435	B	41400-67	1967-72	Brake drum, chrome
23-0436	B	41400-67	1967-72	Brake drum, black
23-0441	C	41425-37	1958-72	Dowel Pin
44-0214	D	41552-58A	1958-66	Axle, chrome
44-0213	D	41552-67	1967-72	Axle, chrome
44-0321	E	41595-58	1958-66	Spacer, chrome
44-0353	E	41595-67	1967-72	Spacer, chrome
44-0354	E	41595-67	1967-72	Spacer, zinc
8160-4	F	41596-30	1958-72	Collar Lock and Nut Kit
8161-4	F	As above	1958-72	Cadmium
44-0319	G	41596-58	1958-62	Spacer, side plate
44-0318	G	41596-63	1963-72	Spacer, side plate
44-0329	H	41600-58	1958-62	Axle sleeve
44-0355	H	41600-63	1963-66	Axle sleeve
44-0327	H	41600-67	1967-72	Axle sleeve
23-3022	I	41650-58	1958-62	Side plate, chrome
23-0714	I	41650-63	1963-72	Side plate, chrome
23-0715	I	41650-63	1963-72	Side plate, black
23-0748	J	41740-58	1958-62	Wheel cylinder
23-0749	J	41740-63	1963-72	Wheel cylinder
23-0713	K	41743-58	1958-72	Wheel cylinder bolt
23-0026	L	41744-58	1958-72	Copper gasket, 10 pack
23-0755	M	41745-58	1958-62	Swivel fitting
23-0712	M	41750-63	1963-72	Swivel fitting
23-0711	N	41749-58	1958-72	Bleeder nipple, 10 pack
23-0604	O	41748-62	1958-62	Cylinder kit
23-0605	O	41748-63	1963-72	Cylinder kit
23-0501	P	41801-58A	1958-62	Brake shoe set
23-0502	P	41801-63	1963-72	Brake shoe set
23-1989		41802-58	1958-62	Brake Linings
23-1987		41809-63	1963-72	Brake Linings
23-0603	Q	41835-58	1958-72	Spring clip set
13-0148*	R	41836-63	1963-72	Shoe Spring Set
	S	41837-63		
13-9233	S	41836-58	1958-62	Shoe Spring Set
		41837-58		
13-9260	S	—	1960-62	Shoe Spring Set
13-0763	Set		1958-62	Shoe Spring
23-0440	T	43530-35A	1958-72	Lug Bolt, Chrome
37-8675	T	43530-35A	1958-72	Lug Bolt, Parkerized
23-0716	U	42300-58	1958-62	Hose
23-0717	U	42300-63	1963-72	Hose

VT No.	Year	Finish	Drum	Axle Kit
23-9241	1958-62	Black	23-0432	44-0562
23-9240	1958-62	Chrome	23-0431	44-0562
23-9242	1963-66	Black	23-0434	44-0582
23-9247	1963-66	Chrome	23-0433	44-0582
23-9242	1967-72	Black	23-0436	44-0567
23-9247	1967-72	Chrome	23-0435	44-0567



Brake Drum Steel Backing Plate for hydraulic drum models have the mount stud and shoe cams installed.

Chrome	Black	#	OEM	Years
23-3022	23-3027	A	41650-58	1958-62
23-0714	23-0715	B	41650-63	1963-72



Rear Hydraulic Cast Brake Drums are complete replacements with sprocket riveted on.

Chrome	Black	Years	Type
23-0431	23-0432	41400-58C	1958-62
23-0433	23-0434	41400-63	1963-66
23-0435	23-0436	41400-67	1967-72
—	23-0930	Kit	1963-66

Brake Shoe Retainer Clip replaces 41835-58, fits 1958-72 FL-FLH models. Sold in pairs.
VT No. 23-0603



Wheel Lug Allen Wrench fits all front and rear wheels 1935-72 FL models.

VT No. Item

- 16-0102 Lug Wrench
- 16-1730 Drive Socket
- 16-1789 T-Handle

Lug Bolt Kit includes 5 lug bolts and "T" wrench.

VT No. Lugs

- 49-0830 Parkerized
- 23-1207 Chrome



23-0749

Wheel Cylinders and Kits are replacements for stock units. The cylinders are completely assembled, and ready for installation.

Wheel Cylinders

VT No.	OEM	Year
23-0748	41740-58	1958-62
23-0749	41740-63	1963-72

Rebuild Kits

23-0604	41748-62	1958-62
23-0605		1963-72



Brake Drum Dowel fits all rear drums. 1937-72. Five piece set.

VT No. 23-0441