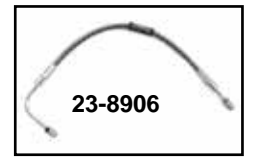
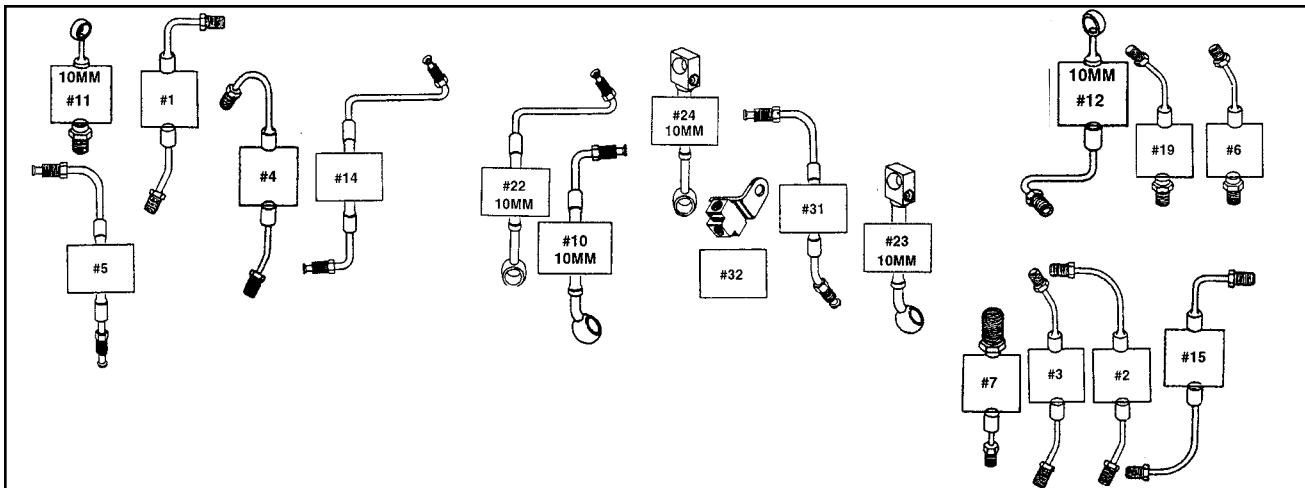




Brake Line



FL Touring/Dresser Series

Year	Model	Front	Diagram#	Rear	Diagram#
1963-72	FL			23-8914	7
1972-80	FL-FLHS	23-8903	6	23-8802	6
	As Above +4" Ext	23-8904	6	23-8802	6
	As Above +8" Ext	23-8905	6	23-8802	6
1981	FLHS	23-8708		23-8802	6
1981	FLH	23-8708		23-8809	4
1982	FLHS	—	11	23-8802	6
1982-84	FLH	—	11	23-8809	4
	As Above +2" Ext	23-8923	11	23-8809	4
	As Above +4" Ext	23-8924	11	23-8809	4
1983	FLT-FLHT-FLTC-FLHTC	23-8721	5, 23	—	5

Upper Dual Disc Front Lines (sold each)

VT No.	Model	Type	Diagram
23-8908	1978-79 FX-FXE	Stock 19"	5
23-8959	1978-79 FX-FXE	-2"	5
23-8909	1978-79 FX-FXE	+2"	5
23-8910	1978-79 FX-FXE	+4"	5
23-8911	1978-79 FX-FXE	+6"	5
23-8912	1978-79 FX-FXE	+8"	5
23-8906	1977-81 FX	Stock 14"	5
23-8952	1980 FXWG	Stock 22½"	14
23-8919	1982-83 FLT	26"	10
23-8920	1982-83 FLT	+4"	10
23-8926	1983 XLH-FXE-FXWG	Stock 24"	12
23-8927	1983 XLH-FXE-FXWG	+2"	12
23-8928	1983 XLH-FXE-FXWG	+4"	12
23-8951	1981 FXE-FXWG	Stock 24"	14

Lower Lines-Dual Disc Lower Lines (2 required, sold each)

23-8908	1978-82 FX-FXE	Stock 19"	5
23-8959	1978-82 FX-FXE	-2"	5
23-8909	1978-82 FX-FXE	+2"	5
23-8910	1978-82 FX-FXE	+4"	5
23-8911	1978-82 FX-FXE	+6"	5
23-8912	1978-82 FX-FXE	+8"	5
23-8909	1977-82 FX, 1982-83 FXR-FXRS	Stock 21"	5
23-8910	1977-82 FXS- FXB-FXWG 1982-83 FXR FXRS	+2"	5
23-8911	1977-82 FXS-FXB-FXWG 1982-83 FXR-FXRS	+4"	5
23-8942	1981 FXE-FXE	23"	14
23-8942	1981 FXE-FXE	25"	14

CLASSIC