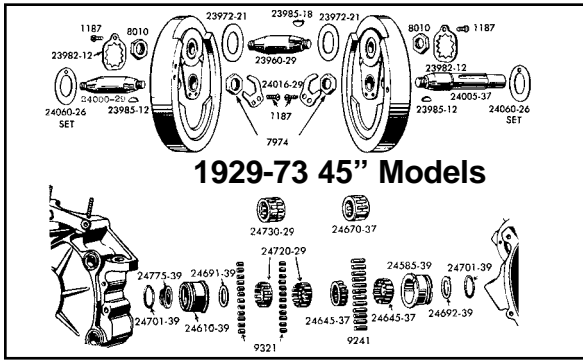




# Side Valve Case Races



1929-73 45" Models

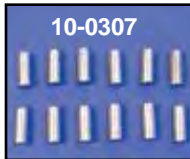
## 45" Engine Components for 1929-73.

VT No.	OEM	Item
12-0560	7974	Shaft Nuts, 5 pack
10-0337	8010A	Crank Pin Nut Kit
10-1162	23972-21	Inside FW Washer, 2 pack
17-0922	23982-12	Crank Pin Lock, 10 pack
12-0200	23985-12	Shaft Key, 10 pack
12-0201	23985-18	Crank Pin Key, 10 pack
10-0417	24000-29	Sprocket Shaft
10-0406	24005-37	Gear Shaft
17-0929	24016-29	Shaft Nut Lock
10-1161	24060-26	Flywheel Washer Set
10-0218	24585-39	Right Case Race Standard
10-0219	24585-OS	.002 As Above
10-0220	24585-OS	.005 As Above
10-0221	24610-39	Left Case Race
10-0222	24610-OS	.002
10-0223	24610-OS	.005
10-1165	24691-39	Left Side Washer, 5 pack
10-1166	24692-39	Right Side Washer, 5 pack
12-0975	24701-39	Right and Left Retainer, 10 pack
10-0430	24775-39	Left Oil Slinger, each

## CASE ROLLERS

1937-48 SV Big Twin Right Side replaces 9261, 12 per set.

Size	12-Piece	100 Pack	OEM
Standard	10-0307	12-4523	9261
.0002	10-0308	—	9262
.0004	10-0309	12-4525	9263
.0006	10-0310	12-4526	9264
.0008	10-0311	—	9265
.001	10-0312	12-4528	9266



45" Right Crankcase Rollers, 12 piece.

Size	12-Piece	100 Pack	OEM
Standard	12-4573	12-4593	9241
.0002	12-4602	—	9242
.0004	12-4575	12-4595	9243
.0006	12-4574	12-4594	9244
.001	12-4604	12-4605	9246

All Rollers by TORRINGTON®

45" Left Crankcase Rollers, 24 set for 1924-73.

Size	24-Piece	100 Pack	OEM
Standard	—	—	9321
.0006	12-4597	12-4571	9324
.0008	—	12-4614	9325
.001	12-4598	12-4572	9326

1940-54 Big Twin Left Side Case Rollers, 24 per set.

Size	24-Piece	100 Pack	OEM
Standard	10-0300	—	9220
.0002	10-0301	—	9221
.0004	10-0302	12-4512	9222
.0006	10-0303	—	9223
.0008	10-0304	12-4514	9224
.001	10-0305	12-4515	9225

## Bulk Pack Rod Rollers

1929-73 45" Flathead

Size	Long	OEM	Short	OEM
Standard	12-4593	9241	12-4599	9301
.0002	12-4503	9242	—	9302
.0004	12-4595	9243	12-4615	9303
.0006	12-4594	9244	12-4600	9304
.001	12-4605	9246	—	9306

VT No. 12-4616 is a set of long and short

J Model Left Case (Sprocket Shaft) and Male Rod or J and VL models.

Standard size is .250 x .350

Size	OEM	VT No.
Standard	9281	12-4570
.0006	9284	12-4571
.001	9286	12-4572



1936-47 OHV, 1930-48 Side Valve 74 and 80" Case Races.

Note: VT No. 10-2498 is a bronze bushing.

Jims	VT No.	OEM	Years	Side	Size
—	10-2498	413-30	1930-36	Right	Standard
—	10-2519	416-30	1930-36	Left	Standard
—	10-0226*	413-36	1936-39	Right	Standard
—	10-0228*	416-36	1936-39	Left	Standard
—	10-2521*	—	1936-39	Left	.002
10-0257	10-0224	24595-40	1940-48	Right	Standard
10-0258	10-0225	24597-40	1940-48	Right	.005
—	10-0264	As Above	1940-48	Right	.010
10-0235	10-0208	24621-40	1940-54	Left	Standard
—	10-0209	24623-40	1940-54	Left	.005
—	10-0210	—	1940-54	Left	.010
—	10-0211	—	1940-54	Left	.015

\*Note: Fits 1937-39 Big Twins, 1936 Overhead Valve

Case Race machined & ground to factory specifications.

## Sprocket Left Side Case Race

Jims	Eastern	OEM	Size	Year/Model
10-0238	10-0221	24610-39	Standard	1939-73 45"
—	10-0222	24611-39	.002	1939-73 45"
10-0239	10-0223	24612-39	.005	1939-73 45"

## Pinion Right Side Case Race

10-0255	10-0218	24585-39	Standard	1939-73 45"
—	10-0219	24586-39	.002	1939-73 45"
10-0256	10-0220	24587-39	.005	1939-73 45"



## Steel Roller Retainer Cages.

VT No.	OEM	Application	U/M
<b>Rod</b>			
12-0404	24366-51	74 and 80	4
12-0412	24366-51	As Above, Jims	4
49-0058	—	45" SV	4
12-4616	—	45" Roller Set	24 pc
12-1942	.0006	45" SV Roller	Kit
12-1941	.0008	45" SV Roller	Kit

## Big Twin Right Pinion

12-0400	24646-36	1936-54 Big Twin	2
12-0413	24646-36	As Above, Sifton	2

## Big Twin Left Side Sprocket

12-0401	24721-30	1930-54 Big Twin	2
12-0414	24721-30	As Above, Sifton	2

## 45" Left Sprocket

12-0424	24720-29	1929-73	
---------	----------	---------	--

