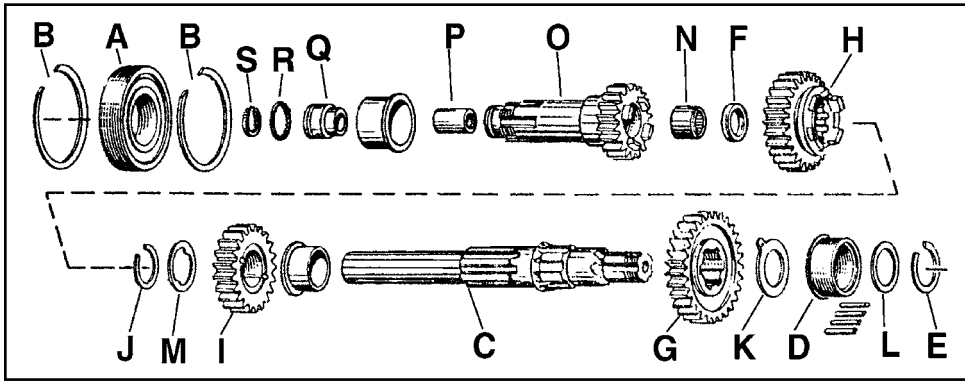




# 4-Speed Main Shaft Hardware



## Main Shaft Hardware

VT No.	OEM	#	Item	17-1122	35277-52A	G	M.S. First Gear, 1954-86, 27T	
12-0308	9025A	A	Ball Bearing, each	17-1050	As Above	G	Andrews	
12-9936	9025A	A	As Above, Torrington	17-8242	35296-56A	H	M.S. Second gear, 1956-90, 23T Andrews	
12-0378	35030-89	A	Ball Bearing, 1989-up 5-Speed	17-1120	35305-56A	I	M.S. Third Gear 1956-90, 20T	
12-0958	11006	B	Retaining Ring Inner, 1986-up	17-8244	As above	I	Andrews	
12-0965	11180	B	Retaining Ring, 1984-90 Outer	12-0932	35337-56	J	1956-up Snap Ring	
12-0930	35112-52	B	Retaining Ring, 1954-Early 84	17-1128	35326-73	K	Thrust washers .080, 54-78, 5 pack	
12-0966	35112-84	B	Retaining Ring Inner, Late 1984-85	17-9752	35326-Set	K	Set 15 pc .030-.125 54-78 Right	
17-1165	35044-56	C	Mainshaft, 1956-69 XLCH-XLH 1967-69 XLCH	17-9236	35385-84	K	.067 Right Side 1984-90, 5 pack	
17-8080	As above	C	Andrews	17-9237	35384-84	K	.072 As above	
17-1166	35046-67	C	Main Shaft, 1967-70 XLH	17-9238	35383-84	K	.079 As above	
17-1167	35046-71A	C	Main Shaft, 1971-E84, XL's	17-9239	35382-84	K	.084 As above	
17-8120	As above	C	Andrews	17-9240	35381-84	K	.090 As above	
17-9982	35036-84A	C	Main Shaft 1984-90 XL's	17-9241	35380-84	K	.096 As above	
<b>Main Shaft Oil Seals</b>				17-9247	35385-Set	K	1984-90, .067-.096, Six Piece Set	
17-1160			1952-E1984	17-9930	35360-Set	K	1979-83, .098-.125, Four Piece Set	
14-0150			L1984-1990	17-1129	35363-52	L	Thrust washer	
<b>XL Trans Main Bearing Race.</b>				17-1127	35364-56	M	Thrust washer	
VT No.	OEM	#	Years	Size	17-0089	35356-86	M	Thrust washer
17-1136	35105-52	D	1954-83	Standard	12-0327	35961-52	N	Needle Bearing
17-1178	As Above	D	Jims	Standard	17-1140	37449-56	O	Clutch gear 1956-66 XLH-XLCH 1967-69 XLCH
17-1137	—	D	1954-83	.002	17-1141	37448-67	O	Clutch gear 67-70 XLH, 70 XLCH
17-1138	—	D	1954-83	.005	17-1142	37448-71	O	Clutch gear 1971-E79 XL
17-1180	As Above	D	Jims	.005	17-8710	As above	O	Andrews
17-1139	—	D	1954-83	.010	17-9760	37448-79	O	Clutch gear Late79-E84 XL includes P, N, F installed
17-9912	—	D	1954-83	.020	17-8711	As Above	O	Andrews
17-9924	35105-83	D	E1984 only	Standard	17-9826	37448-84A	O	Clutch Gear Late1984-86, All
17-9925	—	D	E1984 only	.005	17-9146	37448-87	O	Clutch Gear 1987-90
17-9927	—	D	E1984 only	.002	17-4850	As Above	O	Andrews Set (Two Piece)
12-0359	9118	DD	1984-90	Bearing	10-0751	37458-52	P	Bushing, Clutch Gear
12-0361	8996	DD	1991-2005	Bearing	10-0764	37538-56	Q	End Bushing Clutch Gear
17-1182	35041-84	D	L1984-90	Standard	14-0502	11103	R	O-Ring
17-1183	—	D	L1984-90	.002	14-0127	37531-56B	S	Seal
17-1184	—	D	L1984-90	.005				
12-0931	35113-52	E	Retaining Ring	1954-Early 84				
17-9913	35216-79	F	Thrust Washer	.212				
17-1125	35361-56	F	Thrust Washer					

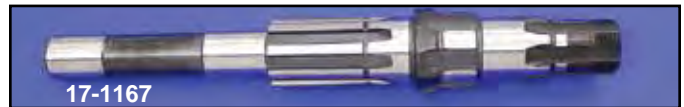


**XL Transmission Rollers.** Available in set of 23 or 100.

23 Pack	100 Pack	OEM	Size
17-1147		9095	Standard
17-1148	12-4588	9096	.0004
17-1149	12-4589	9097	.0008



**Oil Seal and Retainer Kit.** Metal retainer with seal. Replaces 35150-52, includes gasket and screws. Fits all 1952-Early 1984. **VT No. 17-1160**



## XL Mainshaft

Andrews	VT No.	OEM	Fits
17-8080	17-1165	35044-56	1956-66 KH-XL-XLH-XLCH 1967-69 XLCH
—	17-1166	35046-67	1967-70 XLH, 1970 XLCH
17-8120	17-1167	35046-71A	1971-E84 XLH-XLCH
—	17-0143	35046-71A	As Above, Sifton
17-8121	17-9982	35036-84A	1984-90 XLH
17-9180	17-9183	35640-89	1991-05 XLH
—	17-0723		2006-up XL